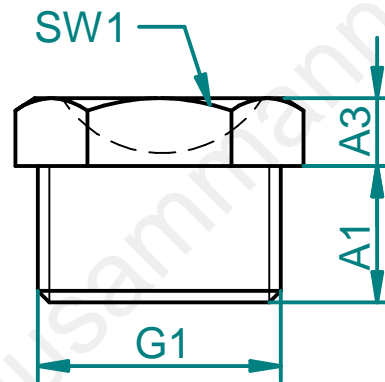



| General tolerances ISO 2768-m |      |              |                |                |                  | Index | Date | Visum | Modification | Index | Date | Visum | Modification |
|-------------------------------|------|--------------|----------------|----------------|------------------|-------|------|-------|--------------|-------|------|-------|--------------|
| Basic-size                    | ...6 | > 6<br>...30 | > 30<br>...120 | >120<br>...400 | > 400<br>...1000 |       |      |       |              |       |      |       |              |
| medium                        | ±0.1 | ±0.2         | ±0.3           | ±0.5           | ±0.8             |       |      |       |              |       |      |       |              |



| Specifications points D,K,H |  |
|-----------------------------|--|
| D= doc.points               |  |
| K= critical                 |  |
| H= main                     |  |

|                  |                  |   |  |   |       |
|------------------|------------------|---|--|---|-------|
|                  |                  | Material:   |  |   |       |
|                  |                  | Stahl verzinkt  |  |   |       |
|                  |                  | Scale   |  |   |       |
|                  |                  |  |  | Date  | Visum |
|                  |                  | plotted   |  | 27.06.11  | E.Z   |
|                  |                  | checked   |  |   |       |
|                  |                  | 04.011  |  | Format  | Index |
|                  |                  | Solid Edge  |  | A4  | 00    |
| Accord-draw.no.: | Origin-draw.no.: | Replacement for:  |  |   |       |
|                  |                  |  |  |   |       |
|                  |                  | © 2 010, Für dieses Dokument behalten wir uns alle Rechte vor.                        |  | © 2 010, Nous nous reservons tous les droits sur ce document    |       |
|                  |                  |   |  | © 2 010, We reserve all rights in connection with this document |       |